

# GYRATORY CONE CRUSHER AVCG SERIES



The Gyratory Cone Crusher delivers increased capacity with reduced maintenance and down-time. It guarantees trouble-free operation in varying feed conditions with a high reduction ratio. It has large and stable feed opening, steep cavity and effective strokes.

## FEATURES

- ✓ “Dual dust seal system” protects internal parts from fines, water etc
- ✓ Optimized crushing chamber design enhancing “more production and less in power consumption”
- ✓ “Easy backlash adjustment” without dismantling the assembly
- ✓ “CSS Automation” with displacement sensor & hydraulics for accurate auto adjustment
- ✓ “Hydraulic tramp release mechanism” to safeguard equipment against any metal or foreign partical entry between crusher cavity / chambers



Unbeatable  
Performance



Hydraulic  
Setting  
Adjustment



High Alloy  
Bronze Bearing  
Design

**Propel. Always Ahead.**

## TECHNICAL DATA

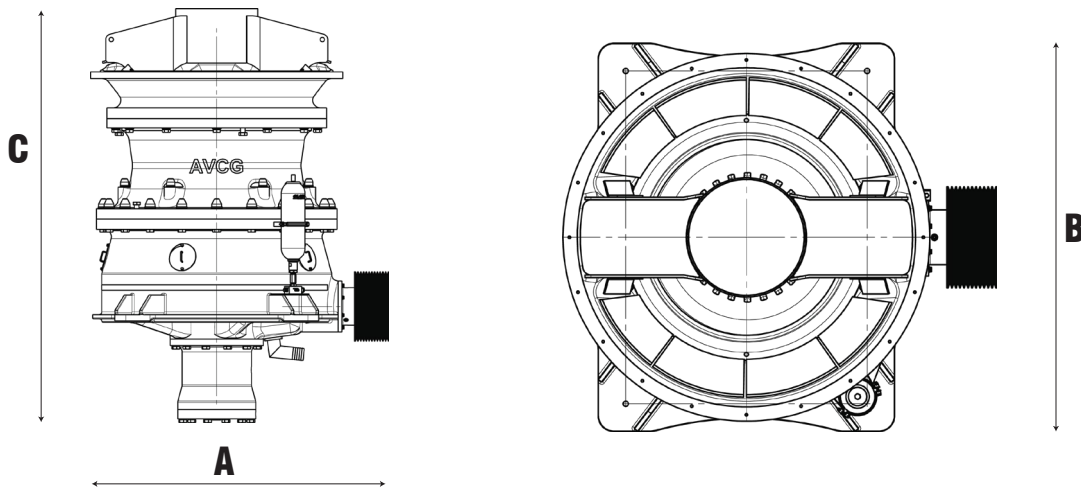
Series		AVCG 350	AVCG 600
Feed Opening	mm (inch)	Extra Coarse (380) / Coarse (300) Extra Coarse (15.0) / Coarse (11.8)	Extra Coarse (450) / Coarse (360) Extra Coarse (17.7) / Coarse (14.2)
*Capacity	TPH	300 - 400	375 - 550
CSS Range	mm (inch)	30 - 50 (1.2 - 2.0)	50 - 70 (2.0 - 2.8)
Mounting Type (Optional)		Skid	Skid
Design Type		Bush Type	Hydro dynamic bush bearing
Lubrication		Pressurized oil & grease	Pressurized oil & grease
Construction		High Grade Carbon Steel Casting	High Grade Carbon Steel Casting
Motor Power	kW (hp)	220 - 250 (295.0 - 335.2)	315 (420)
Weight	kg (Ton)	19500 (19.5)	38000 (38.0)

\*Details may vary based on application

Note: All the above technical details may vary at any time during engineering process & design development

## DIMENSIONS

Model	Units	A	B	C
AVCG 350	mm	2286	1978	2806
AVCG 600	mm	2730	2455	3802



## GET IN TOUCH

**Corporate Office:**  
**PROPEL INDUSTRIES PVT LTD**  
 SF NO : 38/1B, Trichy Main Road,  
 Kangayampalayam, Sullur,  
 Coimbatore - 641 401. India.

**Dealer Office:**  
**Heavy Machinery Viqa,**  
 Saih Shuaib 4, Roundabout 6  
 Dubai Industrial City, Dubai  
 United Arab Emirates

**Communication**  
 +971 800 MYHMV / +971 50 275 0508  
 Email: sales@hvmachinery.com  
 www.hvmachinery.com



PRO\_IND\_09\_24\_R1