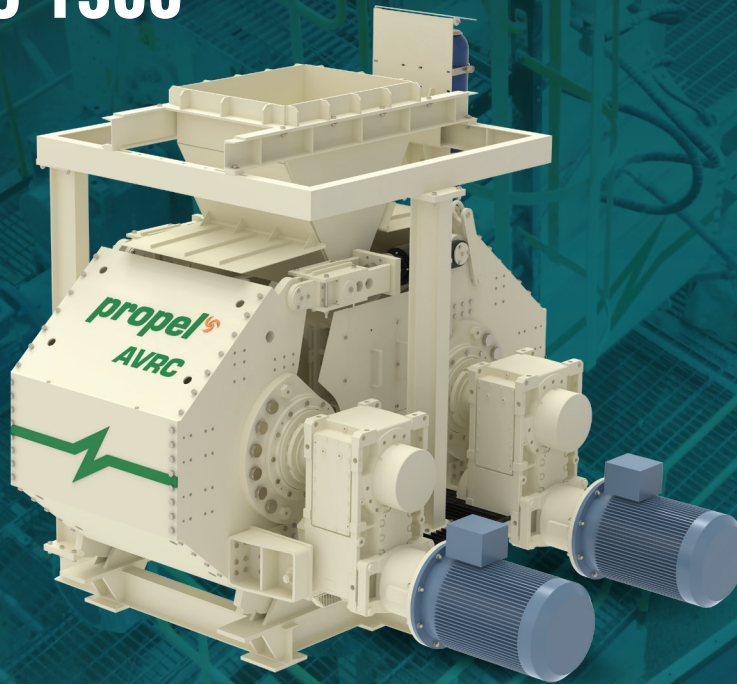


ROLL CRUSHER AVRC 1300



AVRC represents a breakthrough in tertiary crushing technology, offering high capacity with exceptionally low power consumption and wear costs. It efficiently processes feed sizes as small as 12 mm, making it ideal for cost-effective sand production.



FEATURES

- ✓ Low Installed Power
- ✓ Low kWh per Tonne
- ✓ High Product Yield
- ✓ High Throughput Capacity
- ✓ Effective <12mm crushing
- ✓ Tolerates Moisture
- ✓ Reduced Plant Recycle
- ✓ Reduce Material Wastage
- ✓ Easy to Operate
- ✓ Smooth, Safe & Reliable



Robust & Reliable
Design



High performance rotor

Propel. Always Ahead.

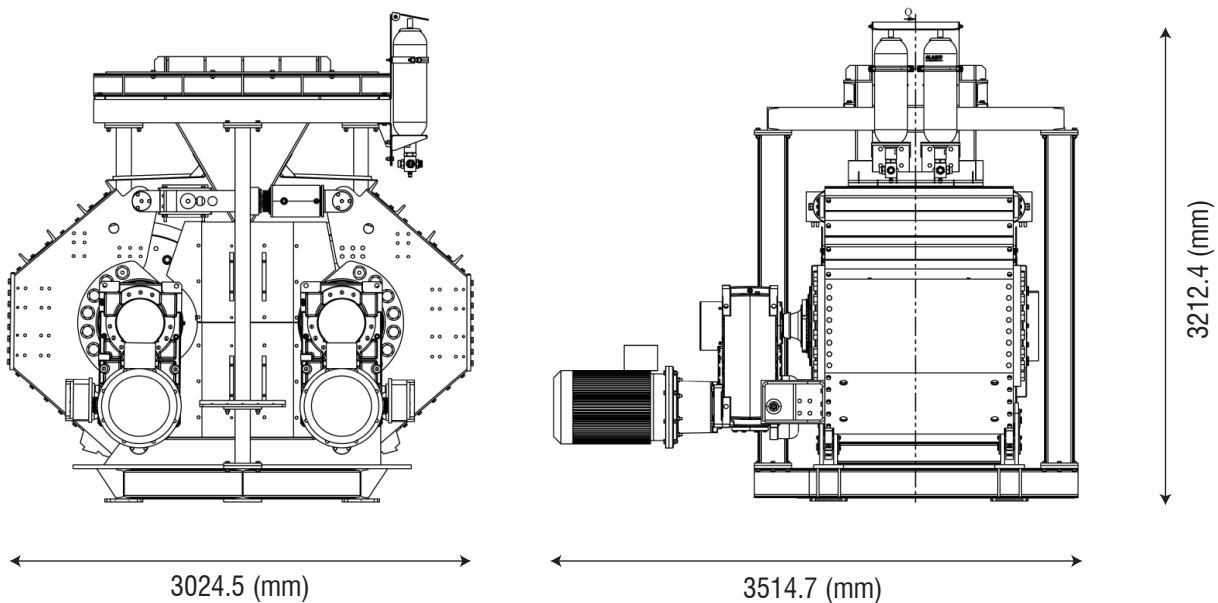
TECHNICAL DATA

Series	Unit	AVRC 1300
Roller Diameter	mm (inch)	1330 (52.3)
Roller Width	mm (inch)	760 (29.9)
*Capacity	TPH	50 - 150
Feed Size (Max.)	mm (inch)	30 (1.18)
Gap Range	mm (inch)	(5 - 15) (0.19 - 0.59)
Roller Speed	rpm	52
Wear Parts		High Quality Mn. Steel
Lubrication		Grease Lubrication for Roll Crusher / Oil for Gearbox
Construction		High Grade steel plates & Castings
Motor Power	kW (hp)	2x55 (2x73.7)
Weight	kg (Ton)	20000 (20)

*Details may vary based on application

Note: All the above technical details may vary at any time during engineering process & design development

DIMENSIONS



GET IN TOUCH

Corporate Office:
PROPEL INDUSTRIES PVT LTD
 SF NO : 38/1B, Trichy Main Road,
 Kangayampalayam, Sullur,
 Coimbatore - 641 401. India.

Dealer Office:
Heavy Machinery Viqa,
 Saih Shuaib 4, Roundabout 6
 Dubai Industrial City, Dubai
 United Arab Emirates

Communication
 +971 800 MYHVMV / +971 50 275 0508
 Email: sales@hvmachinery.com
 www.hvmachinery.com

