

PROFAST CONE PRFMC SERIES



The Profast Cone Crushers are best suited for the toughest quarrying and mining applications. It can be easily towed from one site to another. It features a unique combination of crusher speed, throw and cavity design.

FEATURES

- ✓ Excellent process flexibility. Minimum operating cost (OPEX).
- ✓ Stabilization during operation Transportation between sites is faster and easy with the help of fine adjustment hydraulic jacks. Conveyors are built-in with the chassis.
- ✓ Walkway, ladder & guard rail as per international norms.



Flexibility



Hydraulic Leg
Adjustment



Easy Transportation

Propel. Always Ahead.

TECHNICAL DATA

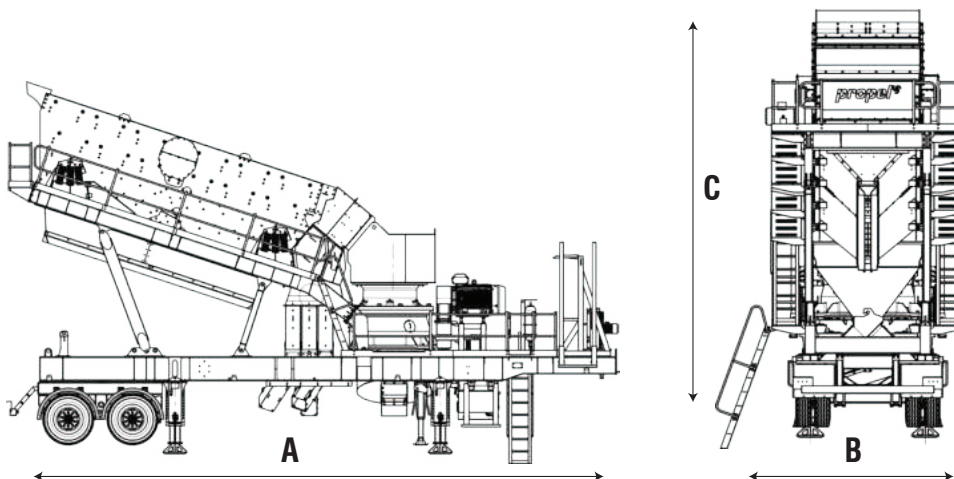
Series		PRFM SM 200	PRFMC 220	PRFMC 250	PRFM SM 250
Model		SM200	AVC220	AVC250	SM250
Feed Opening	mm (inch)	95 (3.7)	220 (8.7)	230 (9.0)	95 (3.7)
CSS Range	mm (inch)	14 - 28 (0.6 - 1.1)	24 - 35 (0.9 - 1.4)	26 - 35 (1.0 - 1.4)	14 - 30 (0.5 - 1.2)
*Capacity	TPH	120-185	140-320	160-340	150-240
Dual Slope Vibrating Screen - 1860 - 4D					
Size (W x L)	mm (inch)	1850 x 6000 (72.8 x 236.2)	1850 x 6000 (72.8 x 236.2)	1850 x 6000 (72.8 x 236.2)	1850 x 6000 (72.8 x 236.2)
Number of Decks		4	4	4	4
ELECTRICAL					
Motor Power	kW (hp)	160 (215)	160 (215)	187 (250)	187 (250)
Total Power	kW (hp)	200 (268)	200 (268)	220 (295)	220 (295)
Dimension					
Transport (L x W x H)	mm (inch)	13750 x 3600 x 4825 (541.3 x 141.7 x 190)	13750 x 3600 x 4825 (541.3 x 141.7 x 190)	13750 x 3600 x 4825 (541.3 x 141.7 x 190)	13750 x 3600 x 4825 (541.3 x 141.7 x 190)
**Weight	Kg (Ton)	42500 (42.5)	42500 (42.5)	42500 (42.5)	42500 (42.5)

*Details may vary based on application

Note: All the above technical details may vary at any time during engineering process & design development

DIMENSIONS

Model	Units	A	B	C
PRFMC 220	mm	13750	3600	4825
PRFMC 250	mm	13750	3600	4825
PRFM SM 200	mm	13750	3600	4825
PRFM SM 250	mm	13750	3600	4825



GET IN TOUCH

Corporate Office:
PROPEL INDUSTRIES PVT LTD
 SF NO : 38/1B, Trichy Main Road,
 Kangayampalayam, Sullur,
 Coimbatore - 641 401. India.

Dealer Office:
Heavy Machinery Viqa,
 Saih Shuaib 4, Roundabout 6
 Dubai Industrial City, Dubai
 United Arab Emirates

Communication
 +971 800 MYHMV / +971 50 275 0508
 Email: sales@hvmachinery.com
 www.hvmachinery.com

