

Track Mounted VSI TMV Series



The Track Mounted Vertical Shaft Impactor has the established track record of cost savings, durability and unmatched performance.

FEATURES

- ✓ Heavy duty track unit with dual speed (optional) configuration.
- ✓ Safety guards in compliance with machinery directive. Sturdy walkway with handrails, kick board and access ladders.
- ✓ Dual power mode - flexibility to power the plant either by external electric connection or by on-board diesel generator power pack unit (optional).
- ✓ Four-point emergency stop. Detachable dog lead control system for marching.
- ✓ Radio remote control for marching (optional). Feed level sensor for crusher (optional).
- ✓ Low noise acoustic engine canopy with overload protection.

Propel. Always Ahead.

TECHNICAL DATA

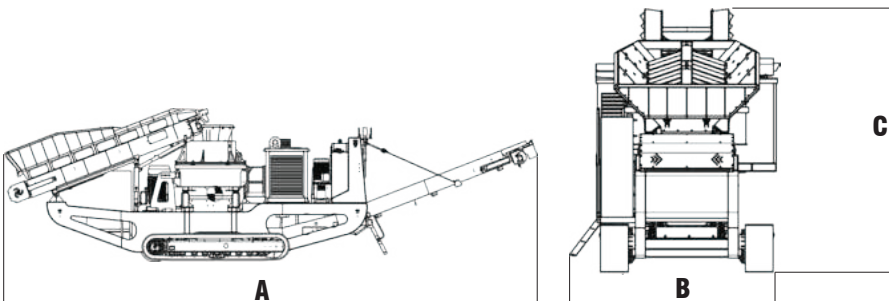
Series		TMV 200	TMV 300
Feed Size	mm (inch)	58 (2.3)	66 (2.6)
Rotor Speed	m (sec)	45-70	45-75
*Capacity	TPH	180 - 320	250 - 470
Hopper / Feeder			
Hopper Capacity	m ³	6	7
Feed Belt Width (mm)	mm	1000	1200
Main Conveyor			
Belt Width	mm	1000	1200
Discharge Height	mm	3600	3400
Stock Pile Capacity	m ³	69.4 @ 40°	58.4 @ 40°
Under Carriage			
Shoe Width	mm	500	500
Hydraulic Tank Capacity	Ltrs	390	390
Power Unit			
Engine		Scania DC13 Engine With Alternator (or) Volvo Penta TAD 1355 GE with Alternator	Scania DC16 Engine With Alternator
Diesel Tank Capacity	Ltrs	900	1000
Dimension			
Transport (L x W x H)	mm (inch)	17540 x 3500 x 4000 (690.6 x 137.8 x 157.5)	17500 x 3470 x 4190 (689.0 x 136.6 x 164.9)
Working (L x W x H)	mm (inch)	16570 x 3770 x 4830 (652.4 x 148.4 x 190.2)	16400 x 4110 x 5290 (645.6 x 161.8 x 208.3)
**Weight	Kg (Ton)	36000 (36.0)	46000 (46.0)

*Details may vary based on application

Note: All the above technical details may vary at any time during engineering process & design development

Model	Units	A	B	C
TMV 200	mm	16570	3770	4830
TMV 300	mm	16400	4110	5290

DIMENSIONS



GET IN TOUCH

Corporate Office:
PROPEL INDUSTRIES PVT LTD
 SF NO : 38/1B, Trichy Main Road,
 Kangayampalayam, Sullur,
 Coimbatore - 641 401. India.

Dealer Office:
Heavy Machinery Viqa,
 Saih Shuaib 4, Roundabout 6
 Dubai Industrial City, Dubai
 United Arab Emirates

Communication
 +971 800 MYHVM / +971 50 275 0508
 Email: sales@hvmachinery.com
 www.hvmachinery.com



PRO_IND_09_24_R1